

PERMACOLOR®

TV FM Mast-Mounted High-Gain Signal Amplifier

10G212



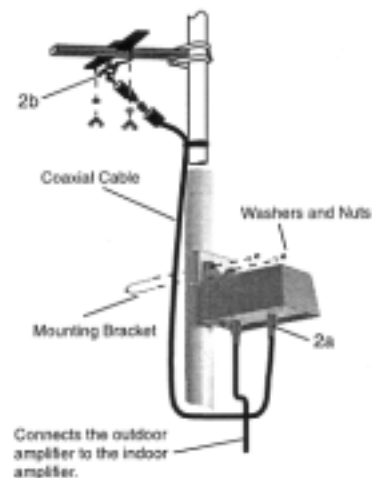
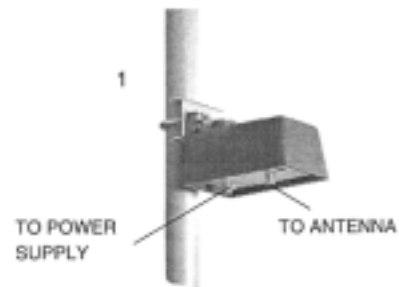
The Permacolor TV FM Mast-Mounted High-Gain Signal Amplifier provides up to 30dB amplification from outdoor VHF, UHF, FM, HDTV, and combination antennas. High amplification is needed if your antenna receives signals from distant stations, when it is positioned more than 100 feet from the TV, or if the antenna supplies signals to several units. The amplifier contains automatic circuitry protection to guard against damage caused by a short.

Outdoor Connections

1. Attach the outdoor amplifier to the antenna mast about 12 inches below the antenna, using the supplied mounting bracket, U-Bolt, washers and nuts.
2. Connect the antenna and outdoor amplifier using the supplied coaxial cable with weatherboots.
 - a) Connect one end of the cable to the outdoor amplifier's TO ANTENNA terminal, leaving a drip loop under where the cable connects to the terminal.
 - b) Connect the other end to your antenna terminals. Use the matching transformer if necessary.
 - c) Slide the weatherboots snugly over each F-connector.



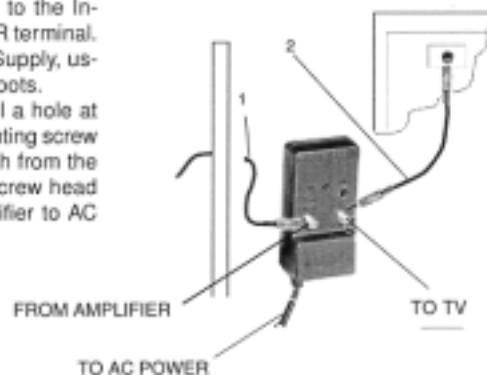
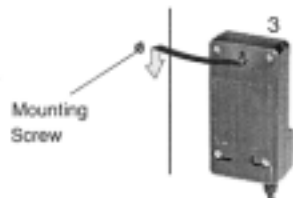
3. Choose a length of cable long enough to reach from the antenna to your indoor amplifier. Connect it to the outdoor amplifier's TO POWER SUPPLY terminal. Use either standoffs or weather resistant electrical tape to secure the cable to the mast.
4. Use standoffs to secure the cable to the building as you route the cable to your TV. Leave a drip loop where the cable enters the house. Be sure to weatherproof all connections using plastic electrical tape or coaxial sealant.



Indoor Connections

The Indoor Amplifier/Power supply is not suitable for attic mounting. It should be placed inside your home.

1. Connect the cable from your Outdoor Amplifier to the Indoor Amplifier/Power Supply's FROM AMPLIFIER terminal.
2. Connect your TV to the Indoor Amplifier/Power Supply, using the supplied coaxial cable without weatherboots.
3. To mount the Indoor Amplifier/Power Supply, drill a hole at the desired location and thread the supplied mounting screw into the hole until its head extends about 1/8-inch from the wall. Align the amplifier's keyhole slot with the screw head and slide the amplifier down. Connect the amplifier to AC power.

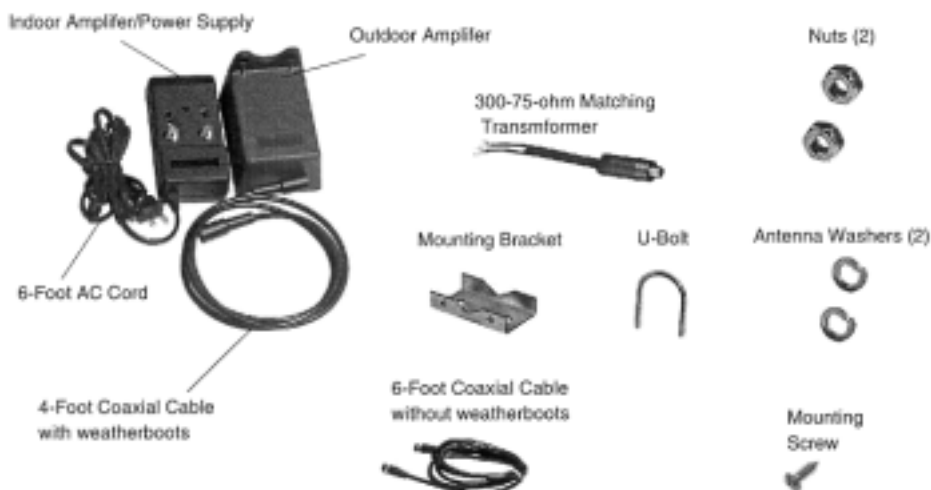


4. Adjust GAIN towards MIN or MAX for the best reception. The optimum setting depends on your location, cable lengths, and number of connected devices.
5. Adjust FM TRAP so that there is no interference with your TV signal (no wavy lines on TV screen).

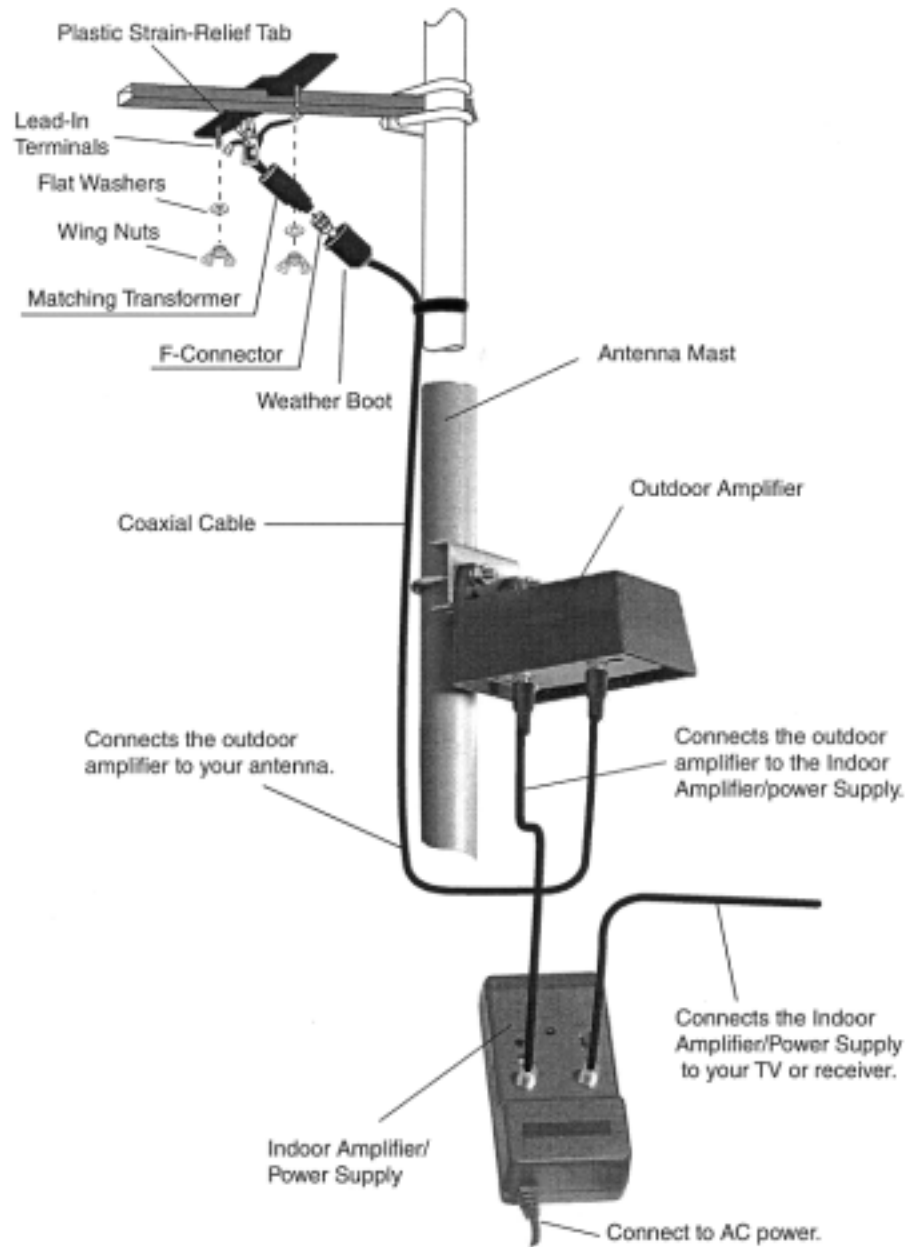


Note: If you are using a splitter to power several devices, connect the splitter between your indoor amplifier to AC Power.

What's Included



Amplifier Setup



Frequently Asked Questions

Q - I installed the amplifier, adjusted RF GAIN and FM TRAP. I now receive additional signals I wanted, but the signals I received prior to installing the amplifier are now lost or degraded. What do I do?

A - Uninstall the amplifier. Performance can vary greatly by location. If you want to receive the new signals, leave the amplifier installed, but you will not be able to improve the quality of the previous signals. You can also rescan for TV channels after adjusting GAIN to make sure you are receiving all available channels.

Q - The LED, which indicates POWER, turned off. Why did this happen?

A - There is a short in the cable (or other connections) running from the FROM AMPLIFIER connector on the indoor amplifier. Replace the cable.

Specifications

Frequency Response dB Attenuation at 100MHz
Gain 30dB (VHF or UHF)
Gain Control0 to 10dB

Specifications are typical; Individual units might vary. Specifications are subject to change and improvement without notice.

Limited 90-Day Warranty

This product is warranted by Antennacraft against manufacturing defects in material and workmanship under normal use for ninety (90) days from the date of purchase from an Antennacraft dealer. For a complete version of this warranty, contact your local Antennacraft dealer. If your amplifier is not performing as it should, take it to your local Antennacraft dealer for assistance.

Modifying or tampering with the amplifier's internal components can cause a malfunction and might invalidate its warranty and void your FCC authorization to operate it.

Antennacraft, P.O. Box 1005, Burlington, IA 52601

1/04