

Model ST3

VHF-Hi/UHF

Scanner Antenna

108-1300 MHz Range

20" Height

Accepts PL-259 Connector (not included)

Stainless-Steel

This outdoor VHF/UHF antenna covers from 108 to 1300 MHz. It uses three vertical radiators and three horizontal radials, all stainless steel, with a chrome-plated brass radiator assembly for efficient reception and lasting service.

WARNING: INSTALLATION OF THIS PRODUCT NEAR POWER LINES IS DANGEROUS. FOR YOUR SAFETY, FOLLOW THE INSTALLATION DIRECTIONS.

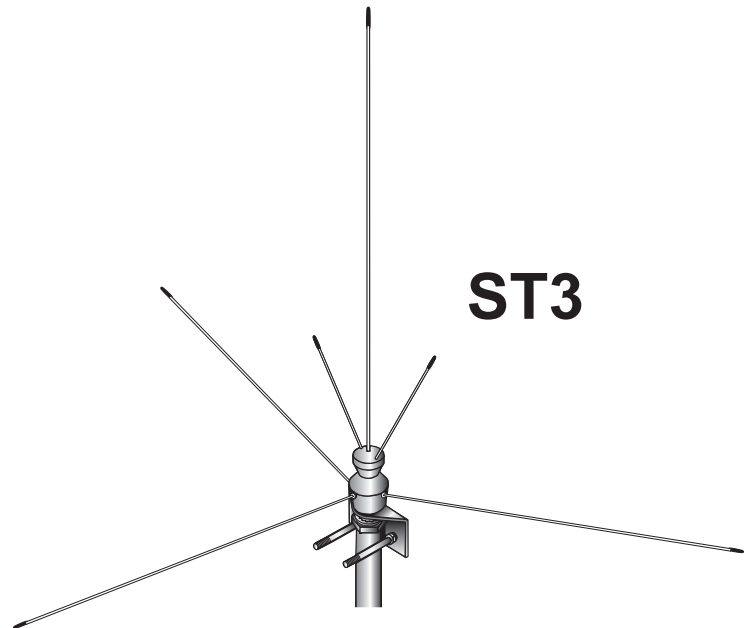
If any metal antenna part touches a power line, it completes a circuit path through anyone touching the antenna. Power line voltage is lethal. You can be killed.

Before You Begin

Before you begin installation, read this manual and its safety information. For your safety and convenience, plan each step of the installation and purchase the necessary hardware you will need in advance at your local electronics store. The order in which you perform the steps and the hardware required depends on the mounting and connection methods you choose.

To prevent serious injuries and death, follow these safety rules:

- If you are not sure you can install the antenna safely, do not try to do it yourself. Check the phone listings under Television Antenna Systems, or call your local power company.
- Assemble as much of the antenna as possible on the ground.
- Watch for overhead power lines. Check the distance to powerlines before you begin installing. We recommend that you keep a minimum distance of twice the total length of the mast and antenna assembly between your antenna site and the nearest power line.
- The antenna mast, cable, and guy wires all are excellent electrical conductors. Keep these away from power lines.
- Do not use a metal ladder.



- Do not attempt installation on a windy day.
- Have a friend act as a spotter when you are on the ladder or on the roof. A spotter could see things you might not.
- If the antenna starts to fall, let go of it and let it fall.
- If any part of the antenna system touches a power line, call your local power company and ask them to remove it. Do not try to remove it yourself.
- Be sure your family and friends understand the danger of touching overhead power lines. They should never try to remove any object touching a power line.

If someone touches a power line:

- Do not touch anyone still in contact with the antenna or the power line.
- Use a dry board, stick, or rope to move the antenna away from the victim.
- If the victim stops breathing, administer artificial respiration until help arrives.
- Have someone call for medical help

Where to mount your antenna

You can mount this antenna at a maximum height of 60 feet above ground level, provided that:

- You locate the antenna more than 1¼ miles from the nearest airport runway.
- The antenna site's elevation above mean sea level is no greater than that of the nearest airport.
- If your site does not meet both of these conditions, do not mount your antenna more than 20 feet above the ground.
- **Note:** Refer to FCC Bulletin 1001H for further information.
- Mount your antenna where solid structural support is available and where the incoming signal has minimum interference. The best place is on a roof, with the mast secured to a gable or chimney.

Note: Large amounts of smoke and soot can form deposits on the antenna, and lower its efficiency. Check local zoning ordinances for antenna installation regulations.

Acceptable Types of Antenna Installations

1. **Tripod:** Use a 3-foot or 5-foot tripod bolted to a roof or other sturdy mounting surface. Guy wires are not required.
2. **Chimney Mount:** Use heavy-duty chimney mounts, straps, or brackets attached to the chimney or to a wall. For safety, limit mast assembly to 10-foot or smaller. Guy wires are not required.
3. **Eave or Wall Mount:** Use heavy-duty brackets attached to wood or masonry. The complete installation must be able to support the antenna assembly, plus wind pressure. For safety, limit mast assembly to 10-foot or smaller. Guy wires are not required.
4. **Guyed Mast:** Use a heavy duty telescoping antenna mast (not included) and guy wires (not included).

Assembly Instructions

1. Assemble the radial rods by screwing one jam nut on the threaded end of each rod and placing one radial rod cap on the opposite end of each rod.
2. Hand-tighten each radial rod into the hub of the radiator assembly. Then, tighten the jam nut against the hub.
3. Place the radiator rod caps on the ends of the radiator rods.
4. Attach the assembled antenna to the mounting bracket with the mounting lockwasher and the mounting nut. Be sure to tighten the mounting nut securely.

Installation Instructions

1. Route coax cable (not included) from your receiver to your antenna location.
2. Attach the antenna to the mast (not included) using the U-bolt, hex nuts, and lockwashers. Be sure to tighten all nuts securely.
3. Connect the coax cable to the antenna using a PL-259 connector (not included).
4. Fasten the coax cable to the mast with fasteners (available at your local electronics store) to avoid strain on the cable connections.
5. Mount the mast at a location you have checked for power line clearance.
6. Ground your antenna. Drive a 1/2" copper or steel rod into the ground as close to the antenna base as possible. Connect an 8-gauge or larger copper or aluminum wire (available at your local electronics store) from the antenna to the ground rod. Use the U-bolt as the antenna grounding connections point.
7. Attach the warning label to the mast at eye level.

PARTS LIST:

DESCRIPTION QUANTITY INCLUDED

Radiator assembly	1
Radial rods	3
Mounting bracket.....	1
U-bolt	1
Lockwashers.....	2
Hex nuts	2
Jam nuts	3
Mounting lockwasher.....	1
Mounting nut.....	1
Rod caps	6
Warning label.....	1

