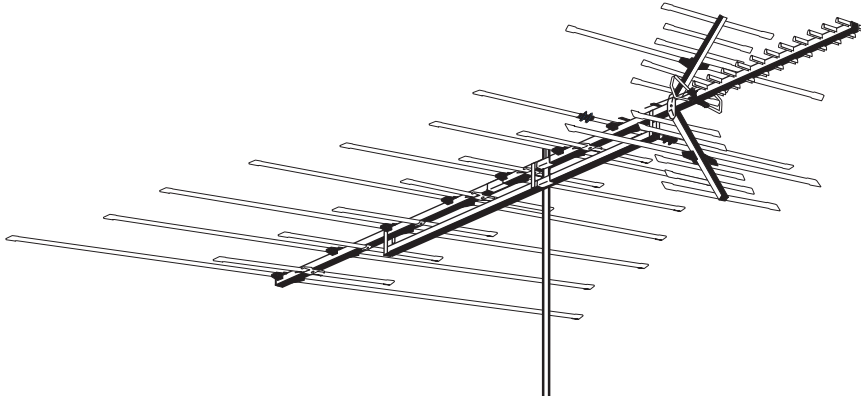


# Engineering Specifications

## ANTENNACRAFT<sup>®</sup>

### Model HD1200 Heavy-Duty, High-Definition VHF/UHF/FM Antenna



**Model Number:** HD-1200

General:	
Channels	2 - 69
Electronic Elements	51
Output Impedance	300 ohms

Physical:	
Boom Length	120"
Maximum Width	109"
Vertical Height	31"
Turning Radius	78"
Element Diameter	.375"
Shipping Weight	12.0
Carton Dimensions	6.5" x 6.75" x 101"

Performance:		
1	Gain (dB)	
	VHF Low Band	5.1
	VHF High Band	8.0
2	Half-Power Beamwidth (deg.)	
	VHF Low Band	67.0
	VHF High Band	33.0
3	Front-To-Back Ratio (dB)	
	VHF Low Band	16.5
	VHF High Band	14.0
	UHF Band	13.5

1: Over Half-Wave Tuned Dipole (Ch. 2 - 62)

2: -3 dB Down Points

3: Opposite Hemisphere