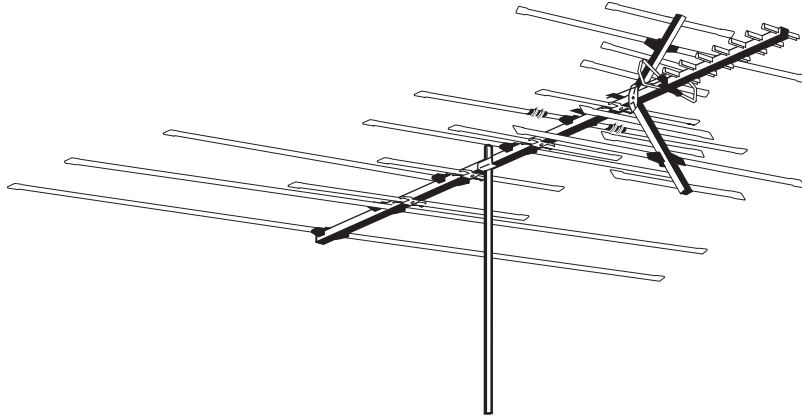


Engineering Specifications

ANTENNACRAFT®

Model HD850 Heavy-Duty, High-Definition VHF/UHF/FM Antenna



Model Number:	HD-850
---------------	--------

General:	
Channels	2 - 69
Electronic Elements	36
Output Impedance	300 ohms

Physical:	
Boom Length	85"
Maximum Width	111"
Vertical Height	24"
Turning Radius	64"
Element Diameter	.375"
Shipping Weight	9.0
Carton Dimensions	6.5" x 6.75" x 101"

Performance:	
1 Gain (dB)	
VHF Low Band	3.3
VHF High Band	6.9
UHF Band	7.7
2 Half-Power Beamwidth (deg.)	
VHF Low Band	72.0
VHF High Band	36.0
UHF Band	40.0
3 Front-To-Back Ratio (dB)	
VHF Low Band	11.0
VHF High Band	13.0
UHF Band	12.0

1: Over Half-Wave Tuned Dipole (Ch. 2 - 62)
 2: -3 dB Down Points
 3: Opposite Hemisphere