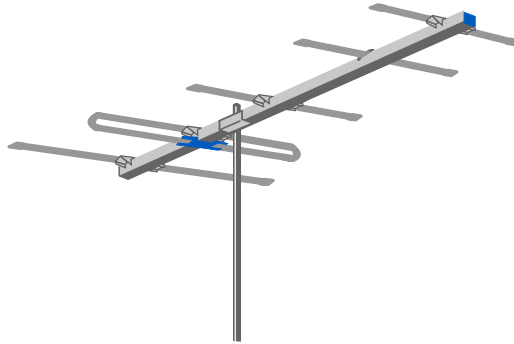


Engineering Specifications

ANTENNACRAFT® Model Y5-7-13 VHF Yagi Antenna



Model Number:	Y5-7-13
---------------	---------

General:	
Channels	7 - 13
Electronic Elements	5
Output Impedance	300 ohms

Physical:	
Boom Length	60"
Maximum Width	35.75"
Vertical Height	4"
Turning Radius	41.5"
Element Diameter	.375"
Shipping Weight	4.7 lbs.
Carton Dimensions	5.875" x 4.75" x 61"

Performance:		
1	Gain (dB)	
	VHF Low Band	N/A
	VHF High Band	6.9
	UHF Band	N/A
2	Half-Power Beamwidth (deg.)	
	VHF Low Band	N/A
	VHF High Band	55.5
	UHF Band	N/A
3	Front-To-Back Ratio (dB)	
	VHF Low Band	N/A
	VHF High Band	13.3
	UHF Band	N/A

1: Over Half-Wave Tuned Dipole
 2: -3 dB Down Points
 3: Opposite Hemisphere